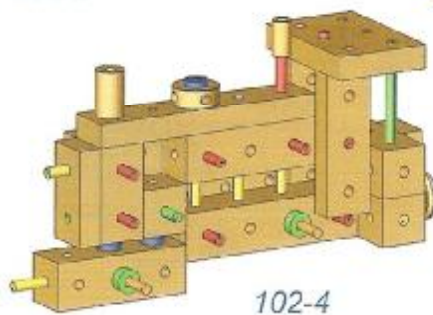
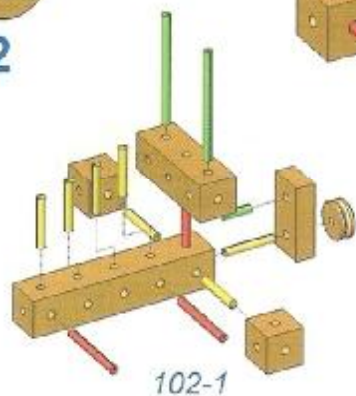
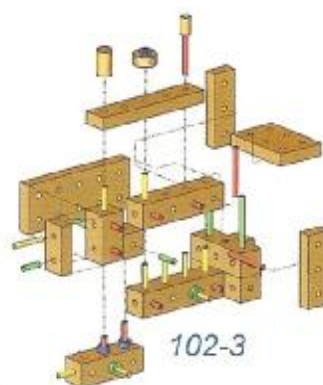
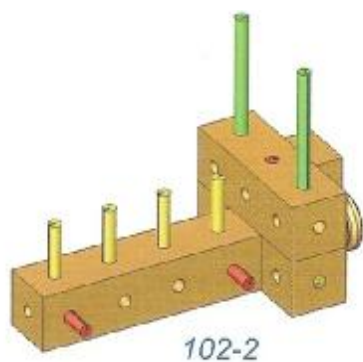
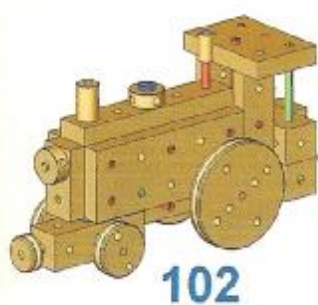
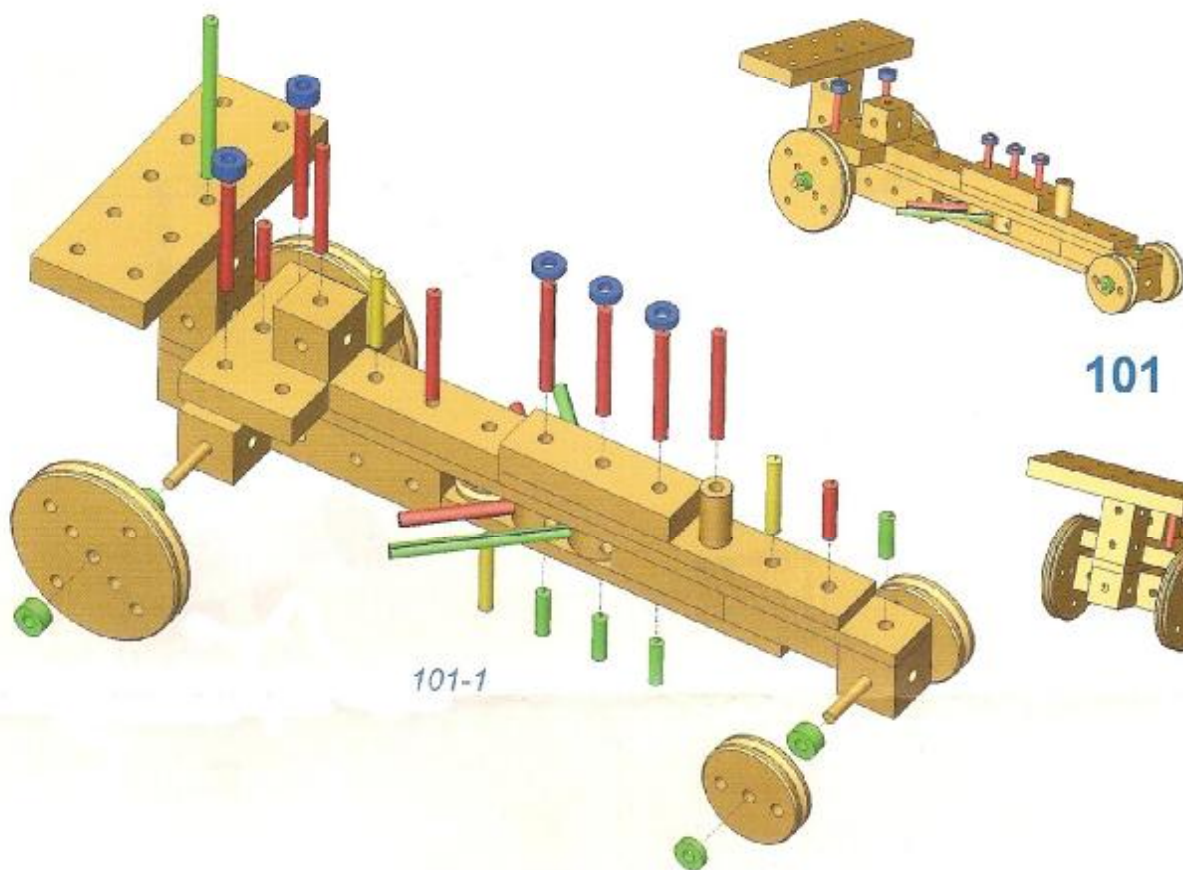
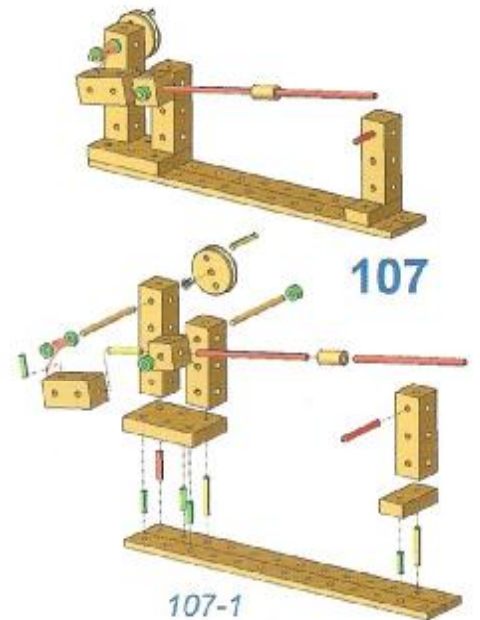
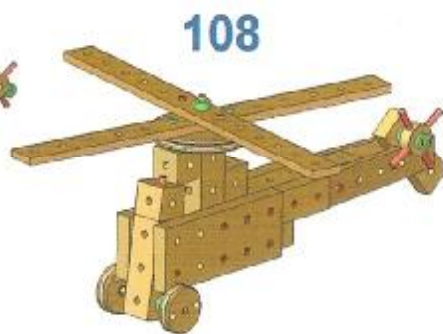
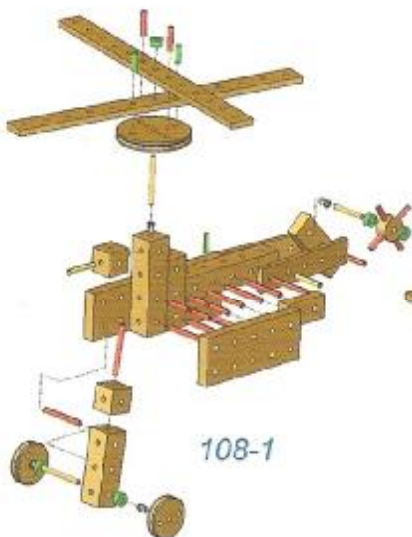
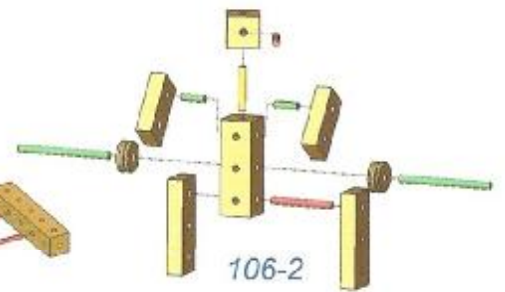
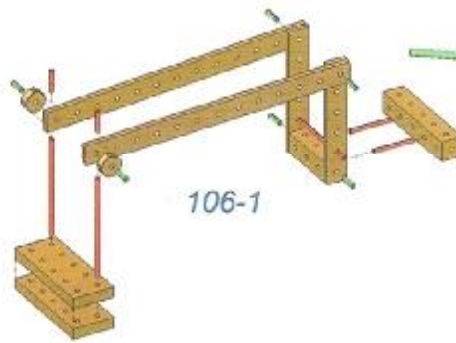
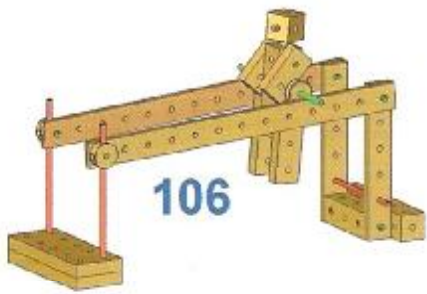
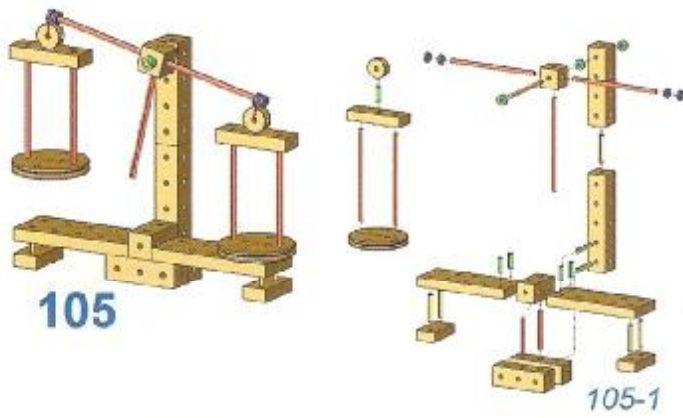
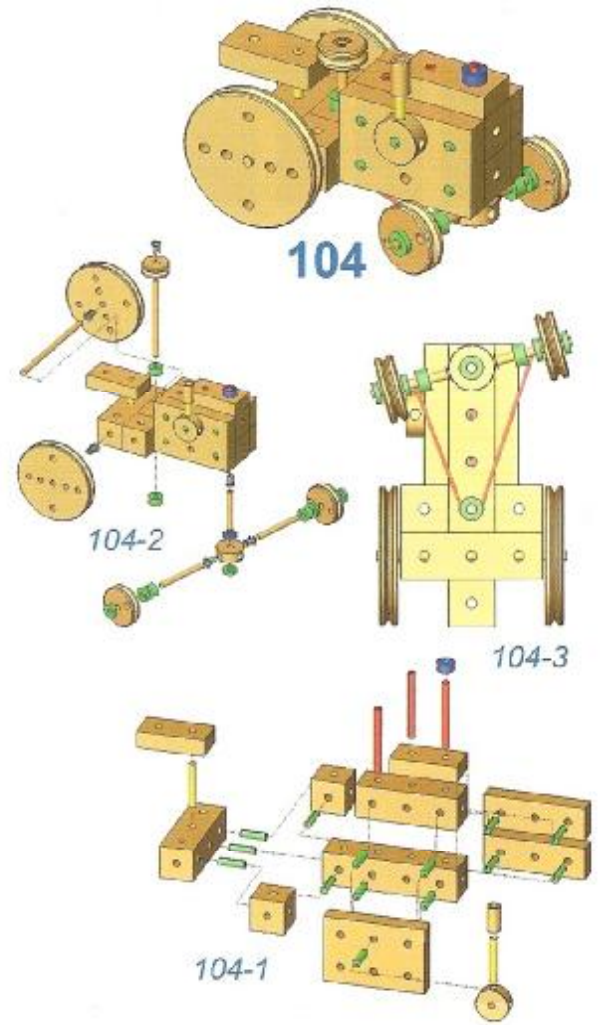
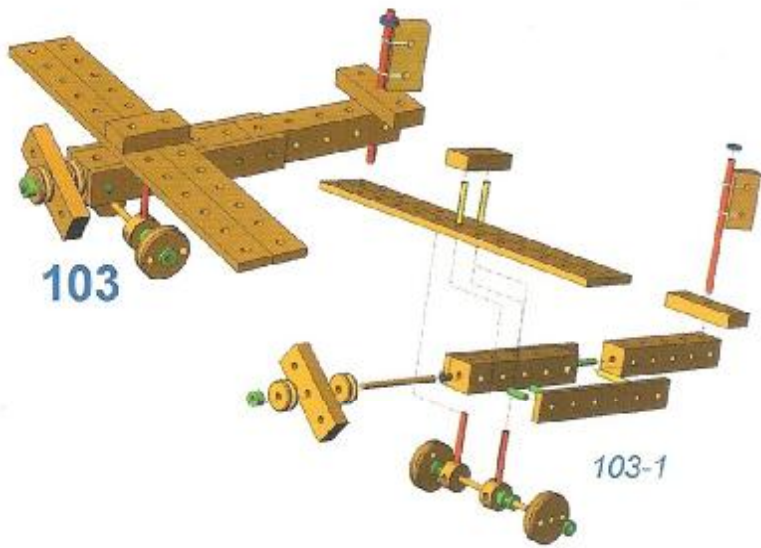
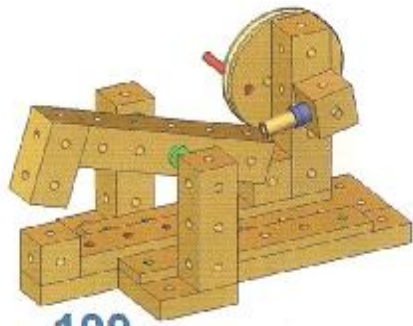


MATADOR[®] 1

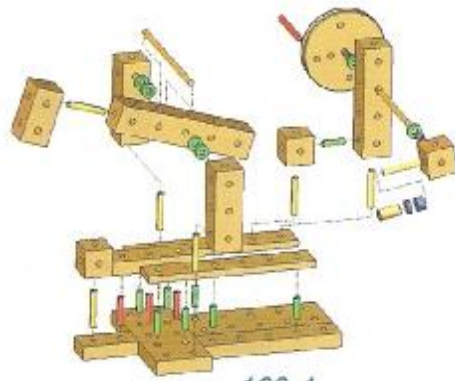


9 007102 119112

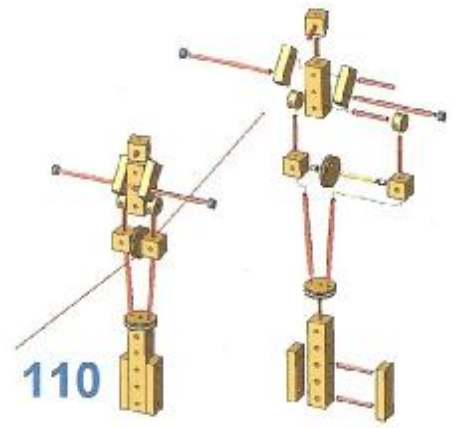




109

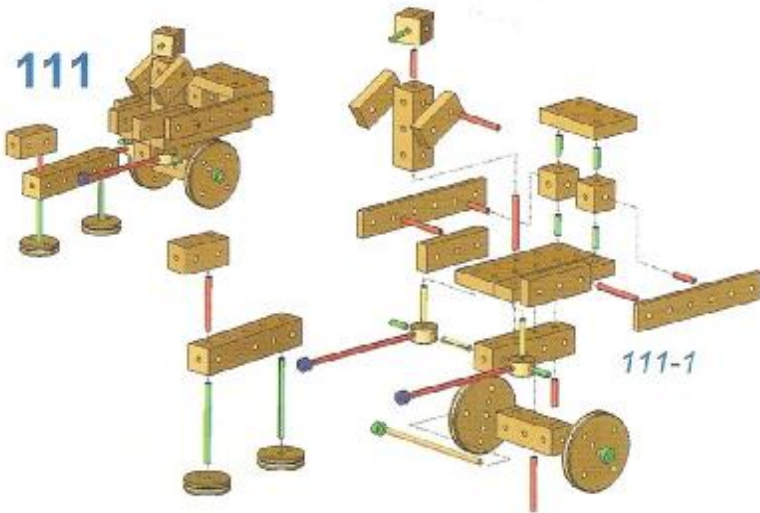


109-1



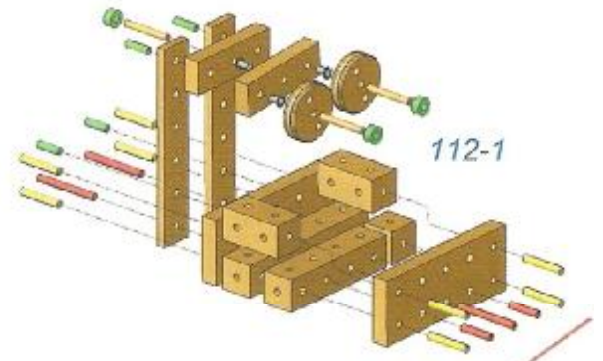
110

110-1

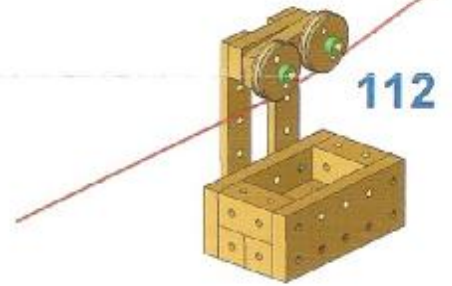


111

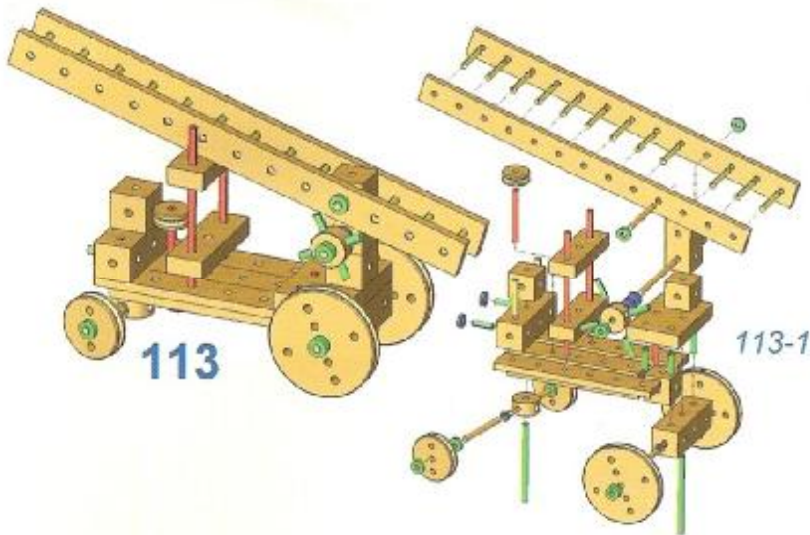
111-1



112-1

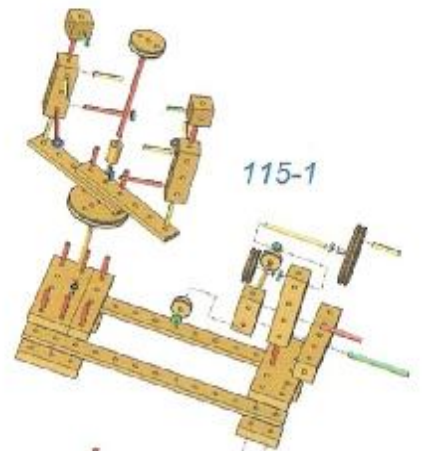


112

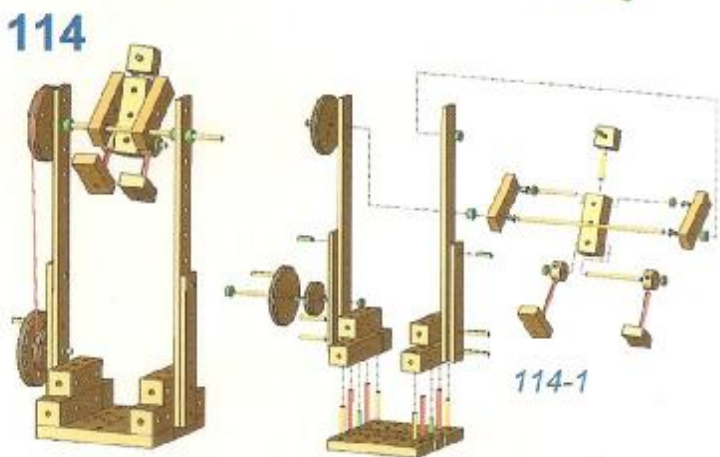


113

113-1

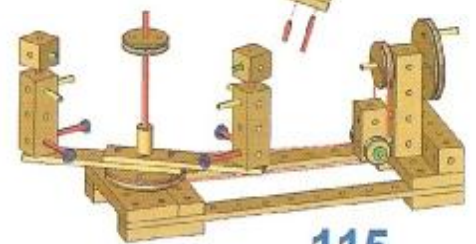


115-1



114

114-1



115

